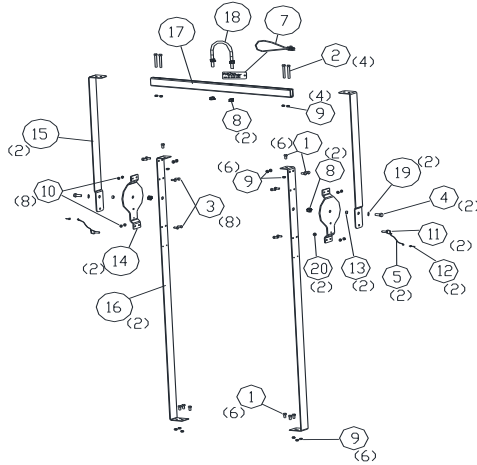


INSTRUCTIONS HIGH RISE LIFT INSTALLATION

INTRODUCTION: Satellite portable restrooms and accessories must be assembled according to approved assembly procedures. Variations in assembly could adversely affect product life and warranty.

HARDWARE:



ITEM #	PART #	QTY	DESCRIPTION
20	11315	2	WASHER, 3/16 RIVET STNLS
19	16427	2	WASHER, 1/2 FLAT
18	20915	1	U-BOLT, HIGH RISE LIFT
17	20911	1	TUBE, HIGH RISE CROSS LIFT
16	20913	2	STRAP, HIGH RISE LIFT SIDE
15	20912	2	STRAP, HIGH RISE PIVOT
14	20914	2	STANDOFF, HIGH RISE LIFT
13	20918	2	SPACER, HIGH RISE .5 ID X 3/8
12	11027	2	RIVET, #66 ALUM
11	20818	2	RING PIN, 3/8 X 1in STNLS
10	13131	8	NUT, 5/16 NYLOC
9	12333	16	NUT, 3/8 NC NYLOC
8	18130	4	NUT, 1/2-13 NC NYLOC
7	21620	1	KIT, NAME PLATE HIGH RISE LIFT
5	20934	2	CABLE, RING PIN NYLON U-LOCK
4	10088	2	BOLT, 1/2-13 X 1-1/4 GR8 PLTD
3	12149	8	BOLT, 5/16-18 X 3/4 HXHD GR5
2	21918	4	BOLT, 3/8-16 X 3 GR5 PLTD
1	19634	12	BOLT, 3/8-16 X 1 GR8 PLTD

TOOLS: *DRILL ELEC/CORDLESS, *25/64 DRILL BIT, *1/2 SOCKET, *1/2 OPEN END WRENCH
*9/16 SOCKET, *9/16 OPEN END WRENCH, *ADJUSTABLE WRENCH

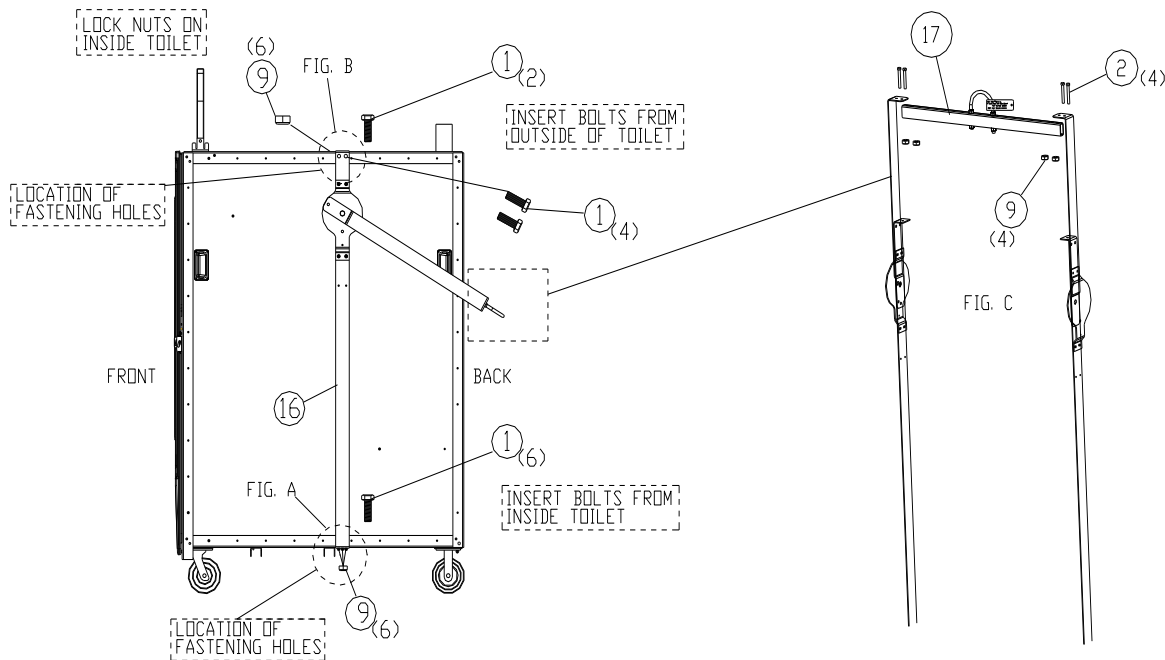
ASSEMBLY TIP: Use 25/64 drill bit to open holes if bolts don't fit.

FASTEN SIDE STRAP/PIVOT STRAP ON OUTSIDE OF UNIT.

1. Locate (3) holes in floor and align with (3) holes in strap. Insert bolts from inside through holes and fasten with lock nuts and tighten with 9/16 wrench. **SEE FIG. A**
2. Locate (2) holes in side horizontal angles and (2) holes in strap. Insert bolts from outside through holes and fasten with lock nuts and tighten with 9/16 wrench. **SEE FIG. B**
3. Locate the (1) hole on top horizontal angle and (1) hole in top of strap. Insert bolts from outside through holes and fasten with lock nuts and tighten with 9/16 wrench. **SEE FIG. B**
4. Repeat steps 1 thru 3 on opposite side.

FASTEN HIGH RISE CROSS LIFT TUBE

1. Fasten bolts and nuts as shown. **SEE FIG. C**



SATELLITE INDUSTRIES, INC.

2530 Xenium Lane North, Minneapolis, MN 55441

Telephone: 763-553-1900 Fax: 763-553-1905

800-328-3332 / www.satelliteindustries.com